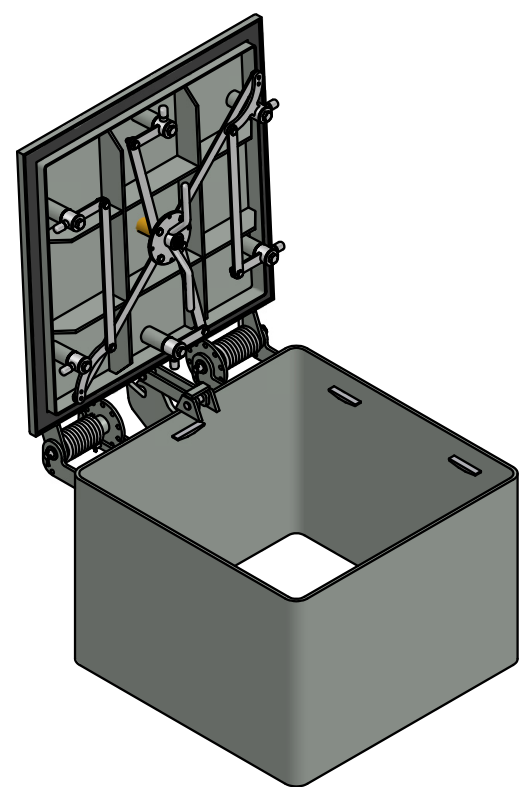


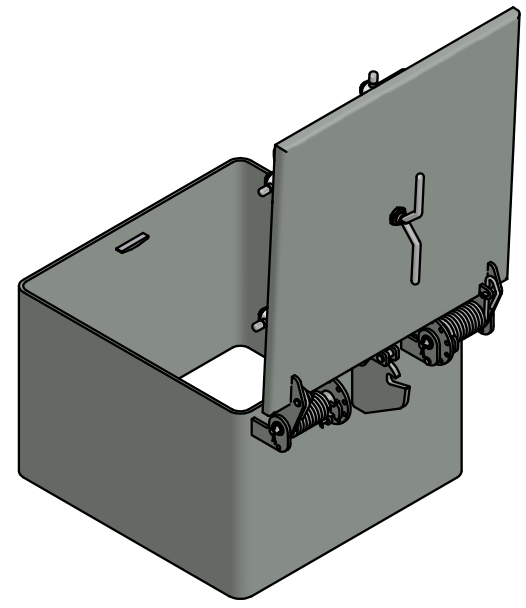
Note 1:
- Weight is approximate for complete hatch.
- Standard treatment: Sandblasted & primed.

Note 2:
- Drawings allways displays hinges on right hand side
- Red arrow indicates configuration displayed in drawing.

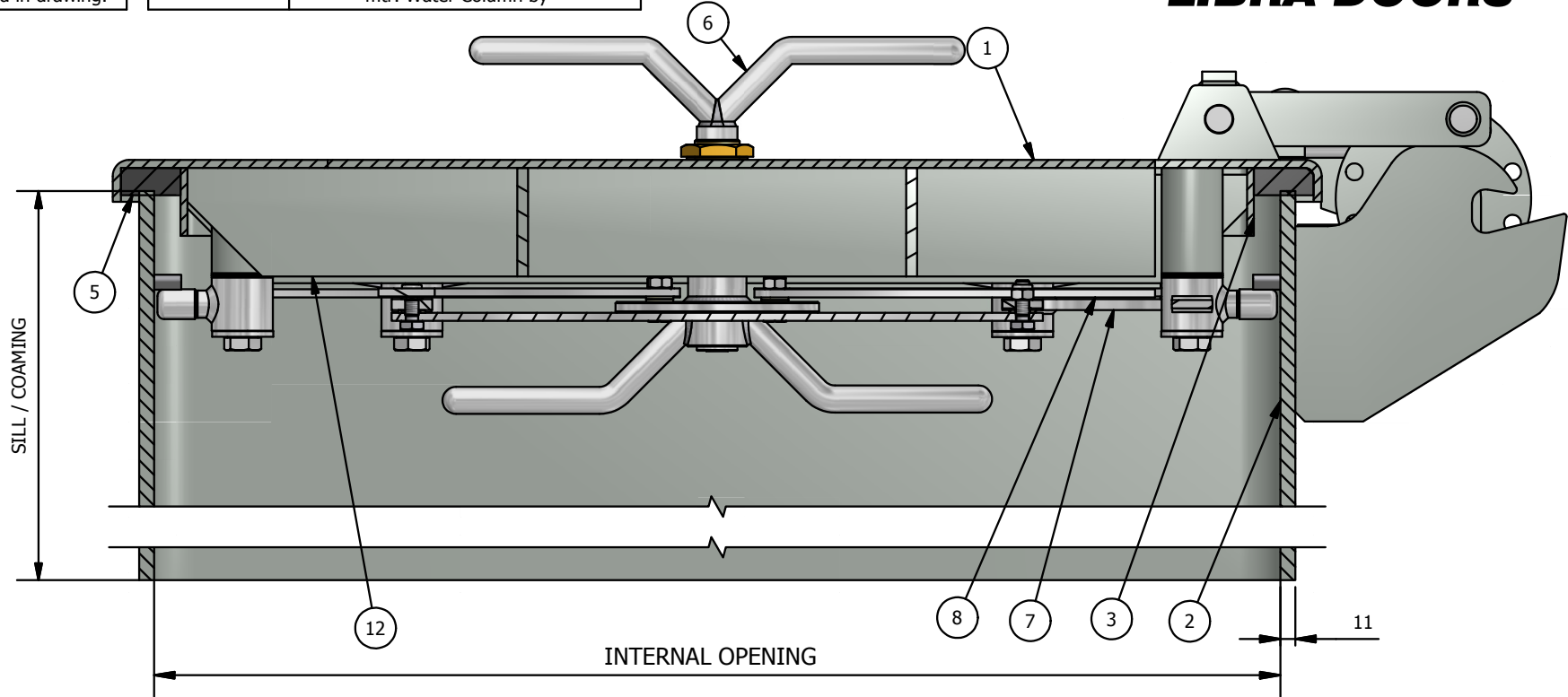
Note 3:
Watertight
****mtr. Water Column by ****



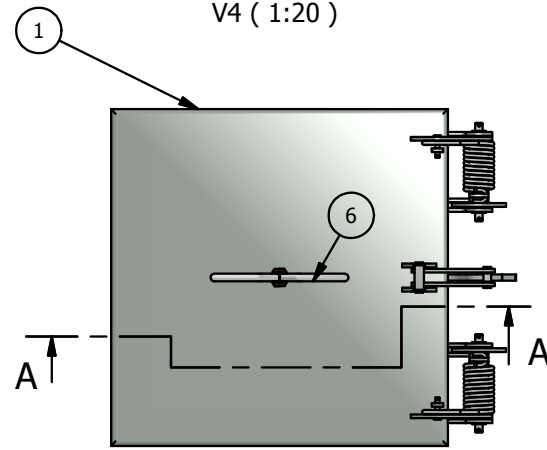
ISO FRONT VIEW
IN OPEN POSITION
V4 (1:20)



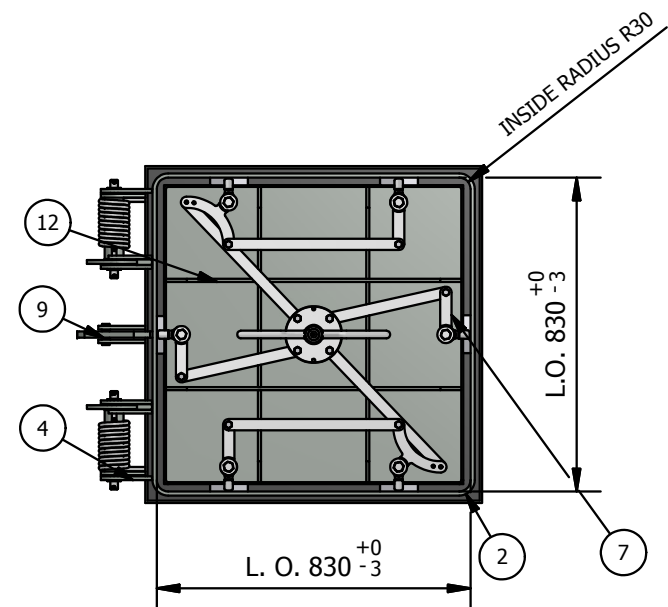
ISO BACK VIEW
IN OPEN POSITION
V5 (1:20)



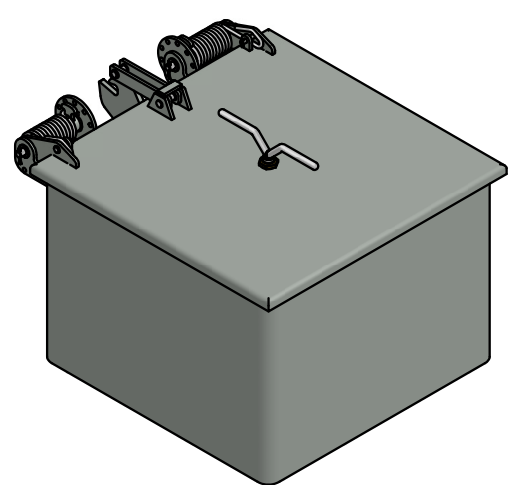
A-A (1:5)
INTERNAL OPENING



HATCH VIEW FROM TOP SIDE
V1 (1:20)



HATCH VIEW FROM BOTTOM SIDE
V2 1:20



ISO VIEW
V3 (1:20)

Parts List			
ITEM	QTY	PART NAME	MATERIAL
1	1	Hatch Leaf	S235JR/Aluminium 6 OR 8mm
2	1	Hatch Coaming	S235JR /Aluminium FL. 600x11mm
3	1	Gasket Rim	S235JR/Aluminium FL. 50x5/ 25x5
4	4	Hinge with Spring	S235JR / AISI 316
5	1	Gasket Weathertight 20x45	NEOPRENE
6	1	Mainhandle Central Y - Toggle WRH	AISI 304 /Brass Bossing
7	8	Slave Toggle	AISI 316 L & Brass
8	8	Linkage Rods	AISI 316 L FL.30x6
9	1	Hatch Holder Type - WRH	S235JR /Aluminium
10	4	Closing Bracket	S235JR FL. 100x20x15
11	4	Stiffener Outside	S235JR L. 100x65x9
12	4	Inside Stiffeners	S235JR / Aluminium FL. 80x8
13	1	Outside Handle	S235JR Rd. ø20x300x60

REVISION HISTORY			
REV	DESCRIPTION	DATE	APPROVED
A	Released	01.07.2010	FW

POS. NO.	TYPE	TOGGLE S & HINGES	LIGHT OPENING	BULKHEAD OPENING	COAMING MATERIAL	HINGE D		HINGES ON LONG OR SHORT SIDE		SILL	HATCH LEAF THICKNESS	INSIDE LOCKING	LOCKING DEVICE	PADLOCK BRACKET	INSIDE STIFFENERS	OUTSIDE STIFFENERS	HATCH STOP	INSULATION	WEIGHT KG
						L	R	L	S										
	WRH	4+2	630x630	600x600	ST./AL/SS	X				600	6		X						
	WRH	4+2	630x830	600x800	ST./AL/SS	X		X		600	6		X						
	WRH	4+2	830x630	800x600	ST./AL/SS			X		600	6		X						
	WRH	6+2	830x830	800x800	ST./AL/SS	X				600	6		X		2X	4X	X		
	WRH	6+3	1030x1030	1000x1000	ST./AL/SS	X				600	6		X		4X	4X	X		
	WRH	6+3	1130x1130	1100x1100	ST./AL/SS	X				600	6		X		4X	4X	X		
	WRH	8+4	1230x1230	1200x1200	ST./AL/SS	X				600	6		X		4X	4X	X		
	WRH	8+4	1330x1330	1300x1300	ST./AL/SS	X				600	6		X		4X	4X	X		

**LIBRA WATER/ WEATHERTIGHT STEEL/ALU. HATCHES
TYPE WRH w. WHEEL OPERATED**

Date 01.07.2010	Checked by F. WOEDE	Scale True scaling in A3 format	Customer ANY COMPANY LTD
--------------------	------------------------	------------------------------------	------------------------------------

Libra™ LIBRA-PLAST AS
N-6060 HAREID, Norway
Tel.: +47 70 09 54 00
Fax: +47 70 09 54 01
E-Mail: office@libra.no

Issue A
Drawing no. L-3-00000
Sheet 1 / 1
Project no. **WRH - CW I**