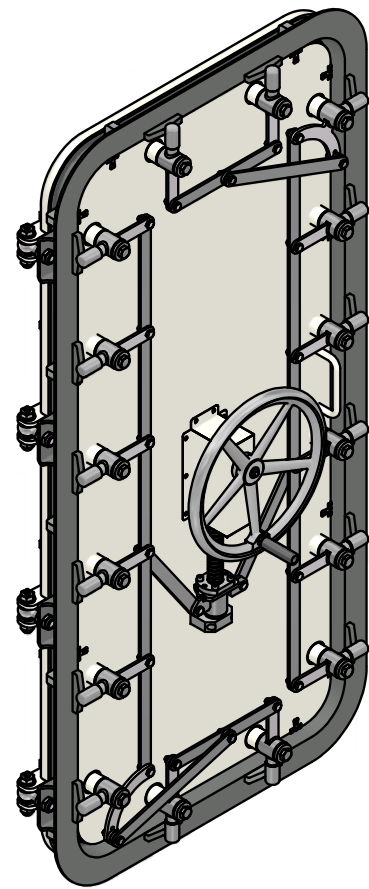
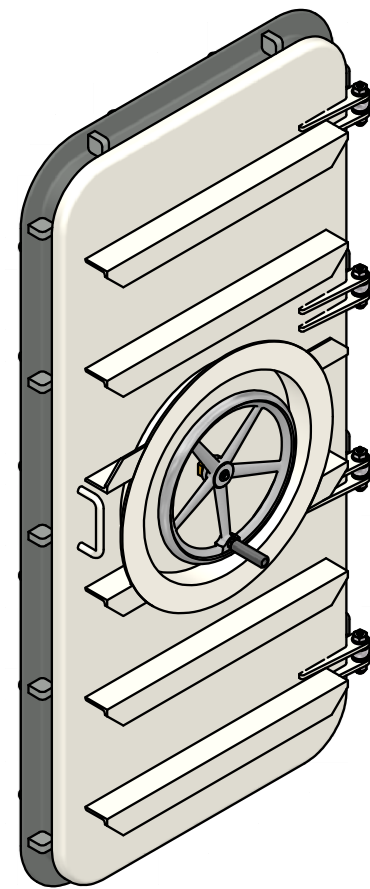


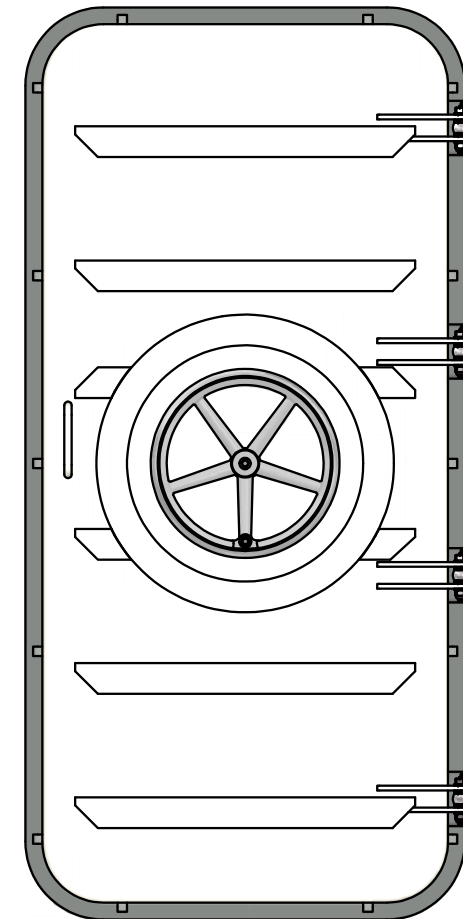
V1 (1 : 16)
INSIDE VIEW



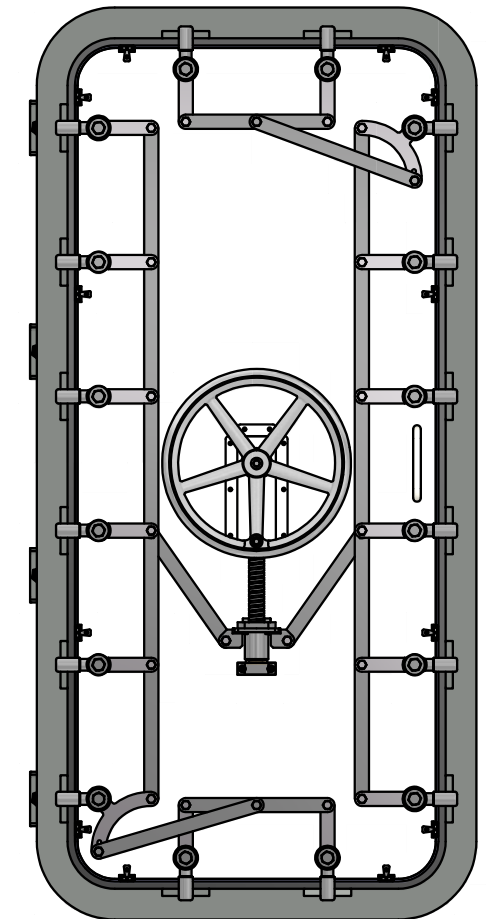
V2 (1 : 16)
OUTSIDE VIEW




V3 (1 : 16)

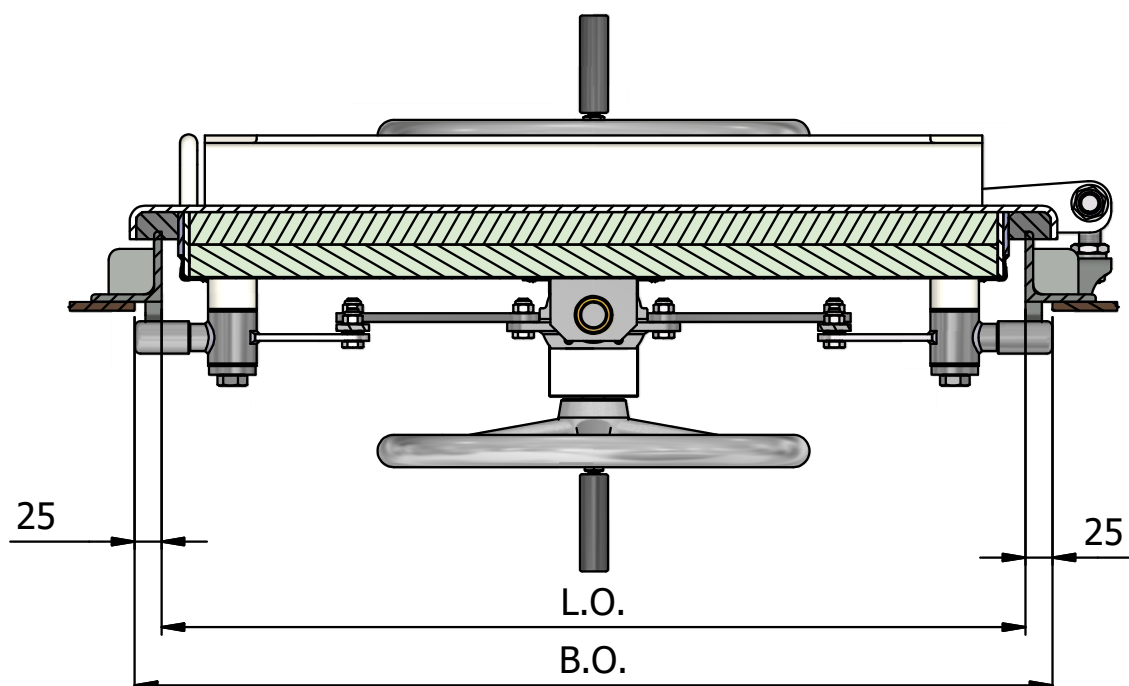
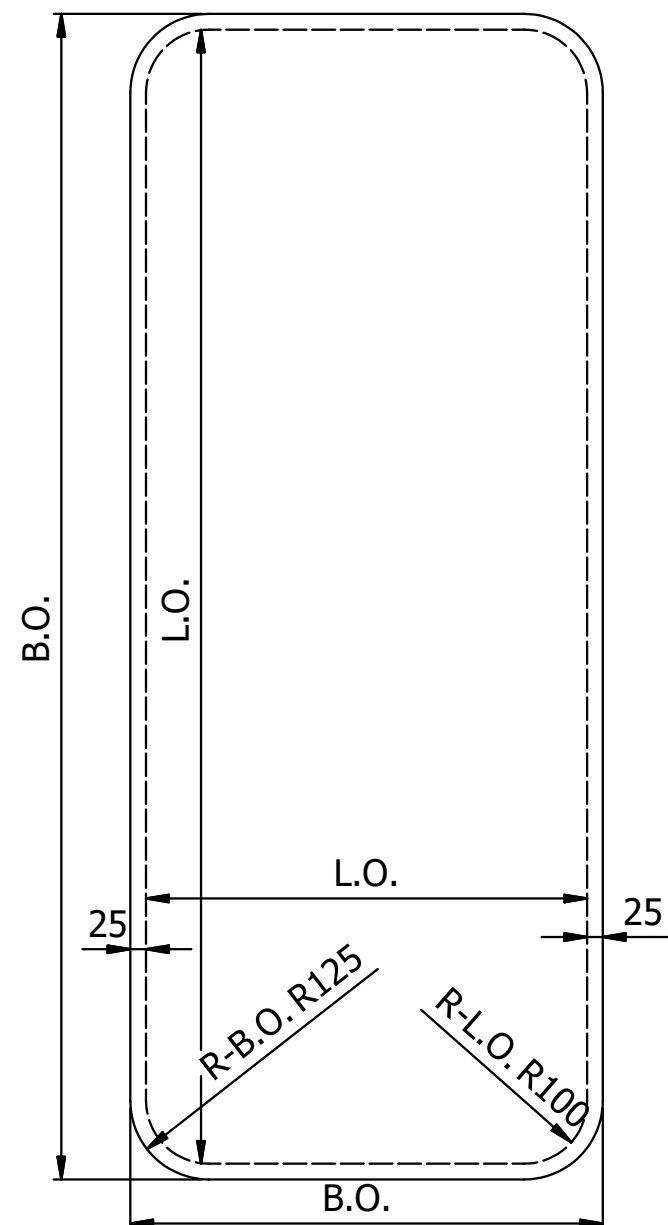
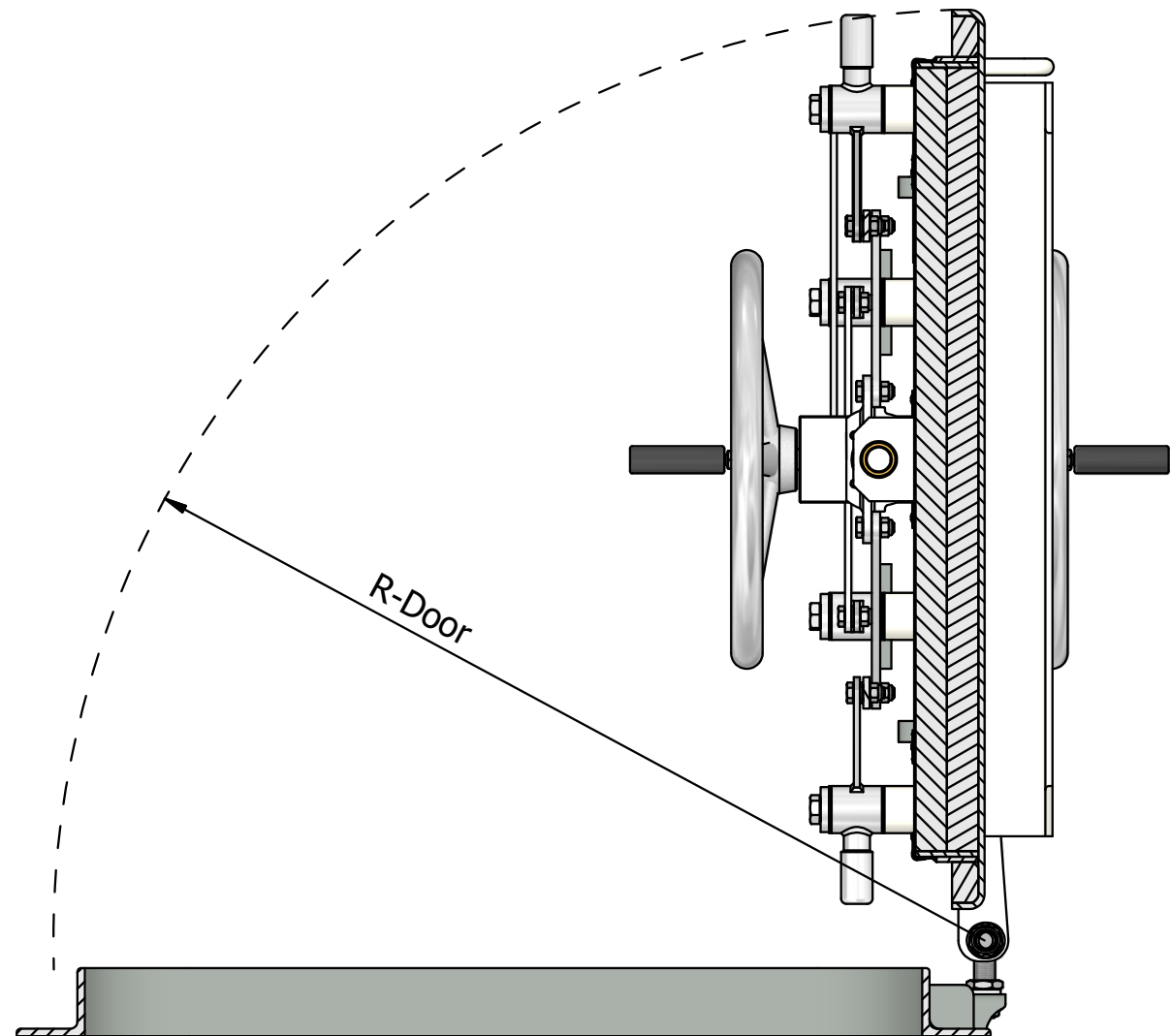



V4 (1 : 16)



Note: 1 STEP FILE:
Libra_WR100-A60-WAT-WO-L-800x1800

REVISION HISTORY			
REV	DESCRIPTION	DATE	APPROVED
A	Released	03.01.2020	RP
LIBRA WATERTIGHT STEEL DOORS TYPE WR100-A60 - WHEEL OPERATED			
Date 03.01.2020	Checked by	Scale True scaling in A3 format	Customer LIBRA
Designed by RP	Approved by	Date	
 LIBRA-PLAST AS N-6060 HAREID, Norway Tel.: +47 70 09 54 00 Fax: +47 70 09 54 01 E-Mail: office@libra.no		Issue A	Sheet 1 / 2
		Drawing no. LX-3-01435 Project no. LX-3-01435	



LIBRA WATERTIGHT STEEL DOORS TYPE WR100-A60 - WHEEL OPERATED					
Date 03.01.2020	Checked by	Scale True scaling in A3 format	Customer LIBRA		
Designed by RP	Approved by	Date	Issue A	Drawing no. LX-3-01435	Sheet 2 / 2
 LIBRA-PLAST AS N-6060 HAREID, Norway Tel.: +47 70 09 54 00 Fax: +47 70 09 54 01 E-Mail: office@libra.no			Project no. LX-3-01435		