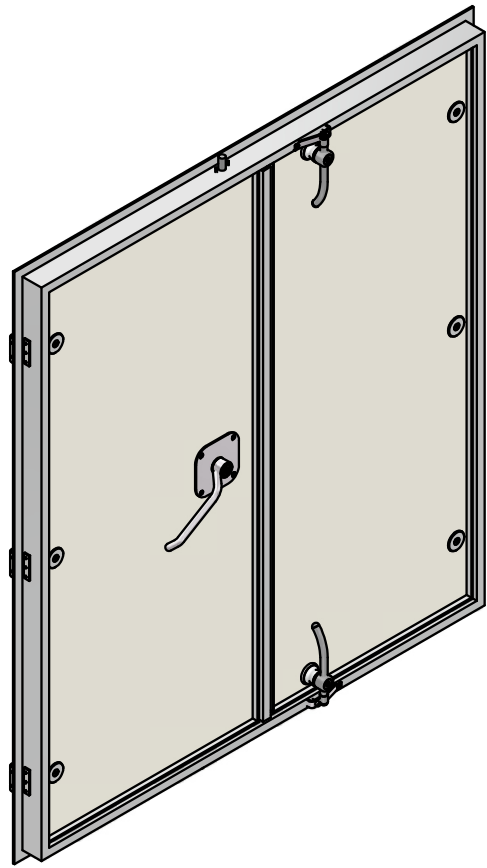
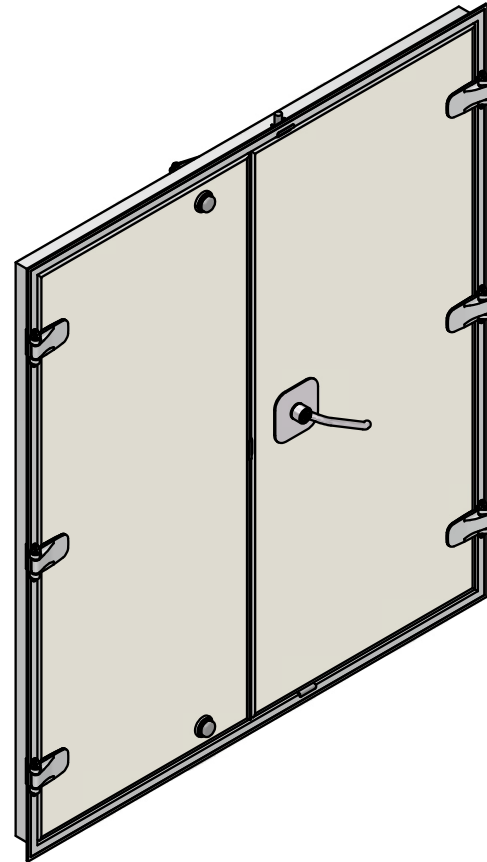


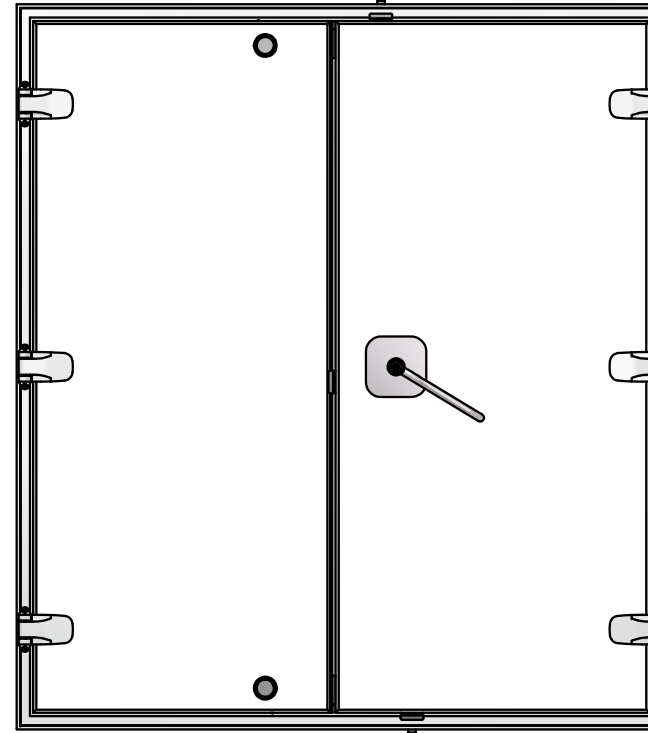
V1 (1 : 20)
INSIDE VIEW



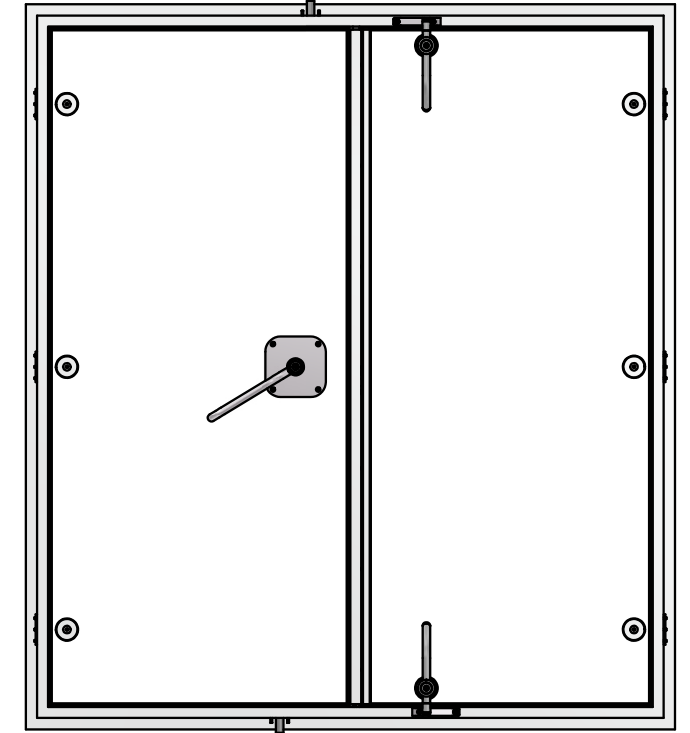
V2 (1 : 20)
OUTSIDE VIEW



V3 (1 : 20)




V4 (1 : 20)



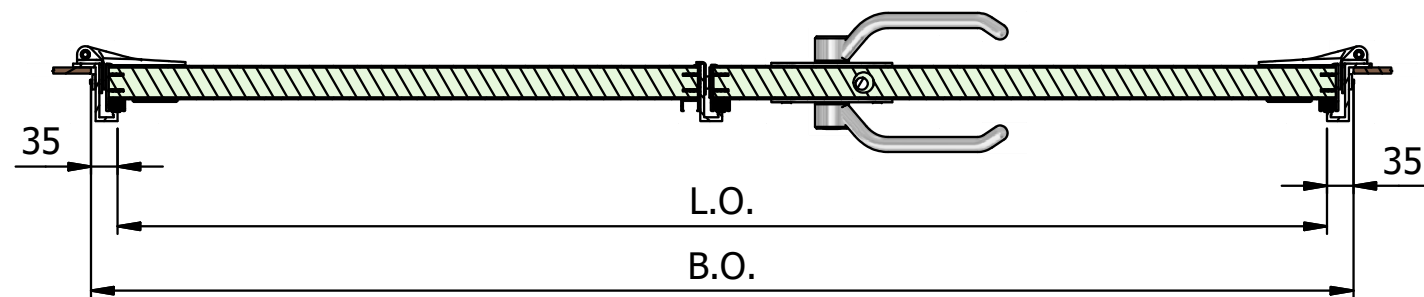
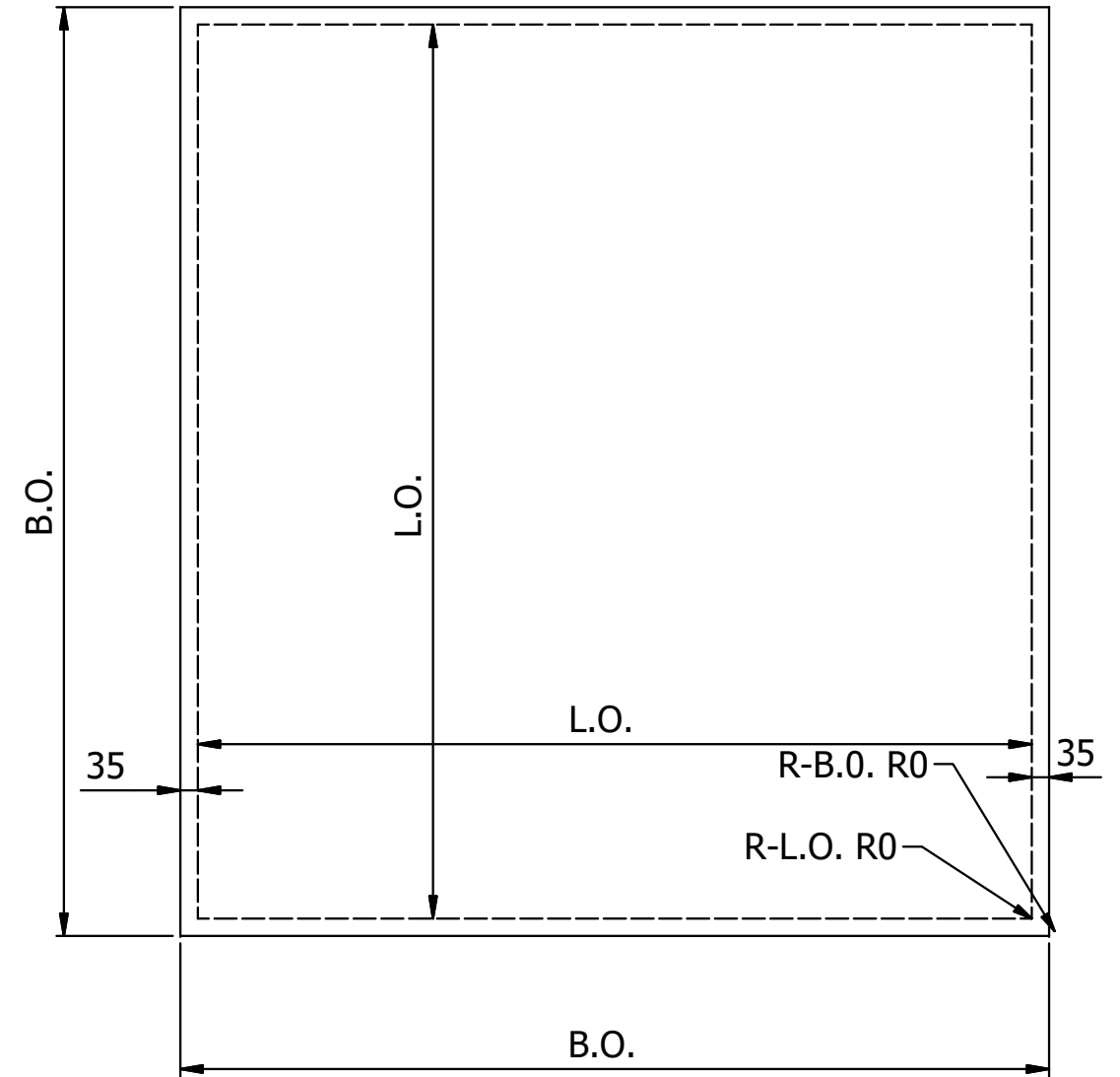
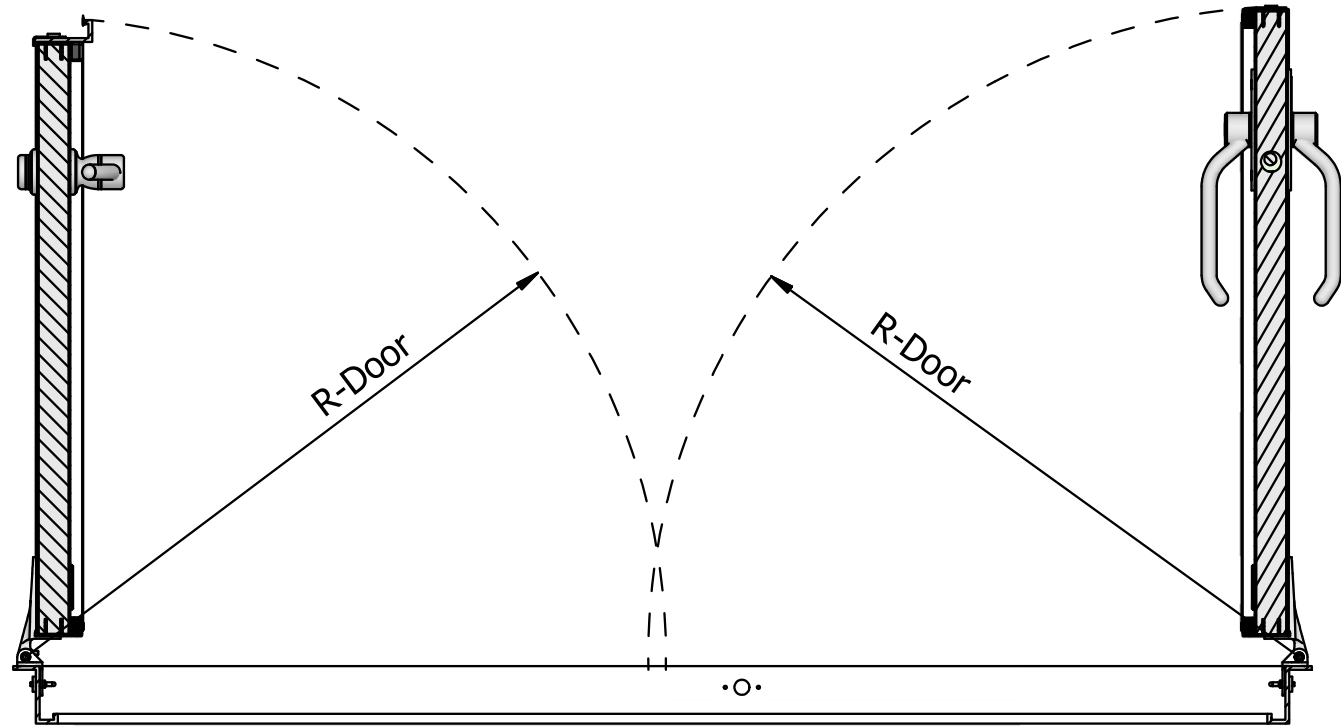
REVISION HISTORY			
REV	DESCRIPTION	DATE	APPROVED
A	Released	25.02.2020	RP

**LIBRA WEATHERYTIGHT COMPOSITE GRP DOUBLE DOORS
TYPE HSC.D - C w. QUICK ACTIN**


Date 25.02.2020	Checked by	Scale True scaling in A3 format	Customer LIBRA
Designed by RP	Approved by	Date	

	LIBRA-PLAST AS N-6060 HAREID, Norway Tel.: +47 70 09 54 00 Fax: +47 70 09 54 01 E-Mail: office@libra.no	Issue A	Drawing no. LX-3-01476	Sheet 1 / 2
	Project no. LX-3-01476			

Note: 1 STEP FILE:
Libra_HSC.D-C-QA-Z-1600x1800-RH



**LIBRA WEATHERYTIGHT COMPOSITE GRP DOUBLE DOORS
TYPE HSC.D - C w. QUICK ACTIN**

Date 25.02.2020	Checked by	Scale True scaling in A3 format	Customer LIBRA
Designed by RP	Approved by	Date	Issue A
 LIBRA-PLAST AS N-6060 HAREID, Norway Tel.: +47 70 09 54 00 Fax: +47 70 09 54 01 E-Mail: office@libra.no			Drawing no. LX-3-01476 Sheet 2 / 2
Project no. LX-3-01476			