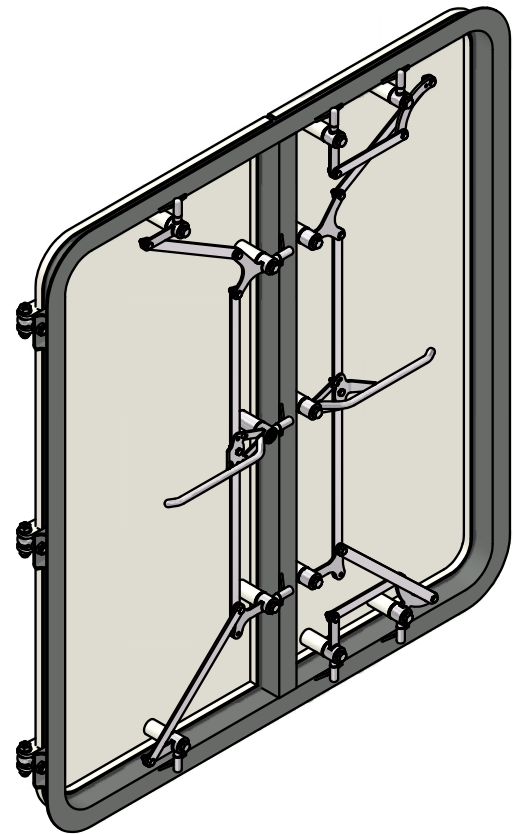
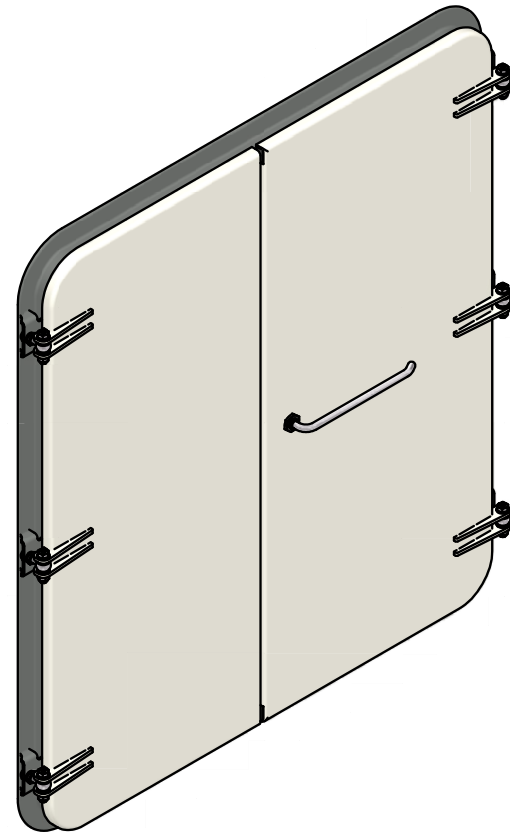


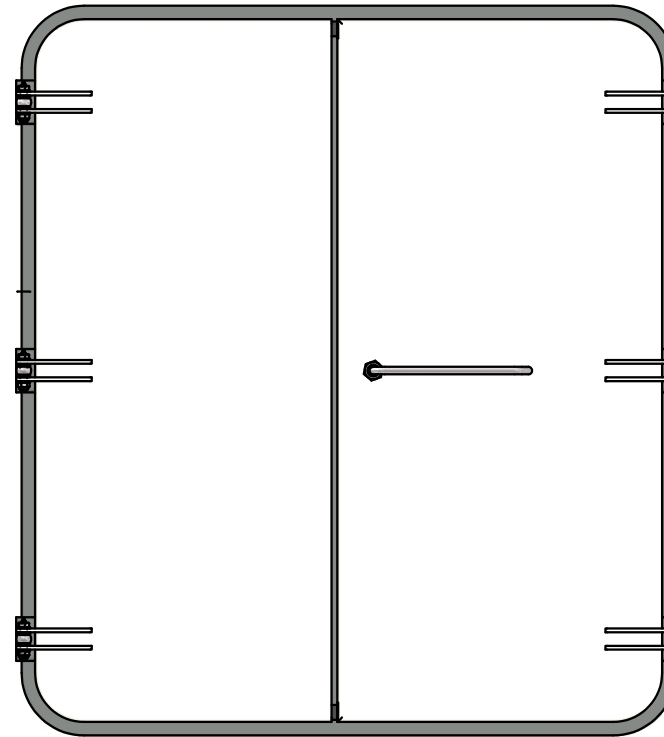
V1 (1 : 20)
(INSIDE VIEW)



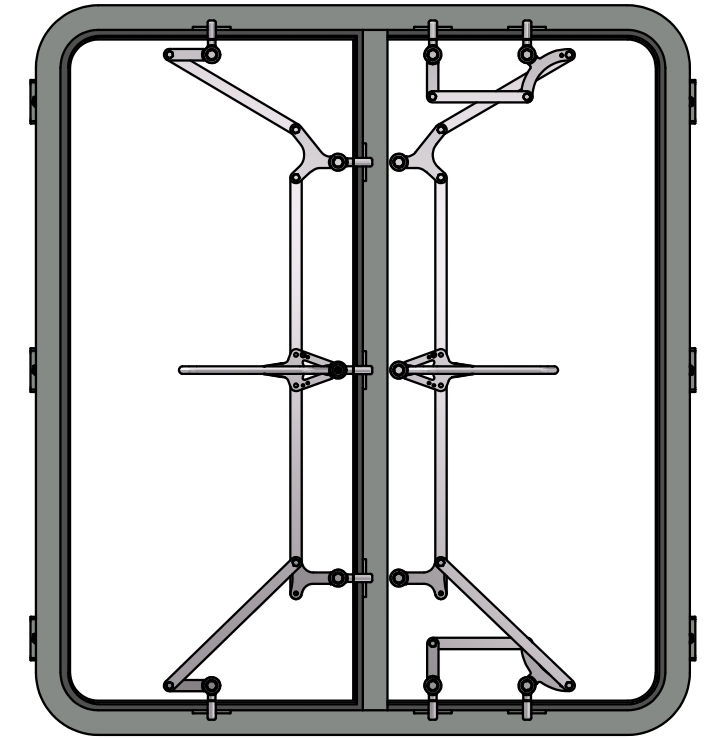
V2 (1 : 20)
(OUTSIDE VIEW)




V3 (1 : 20)

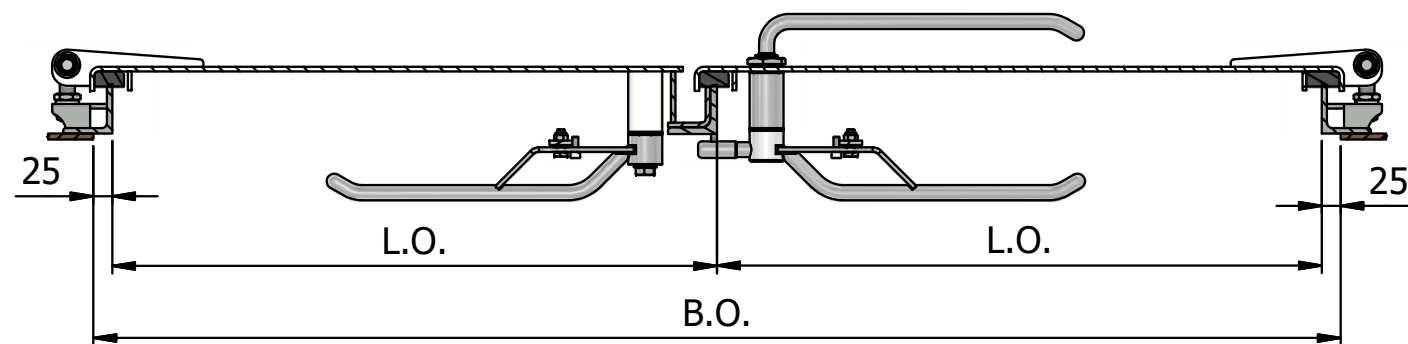
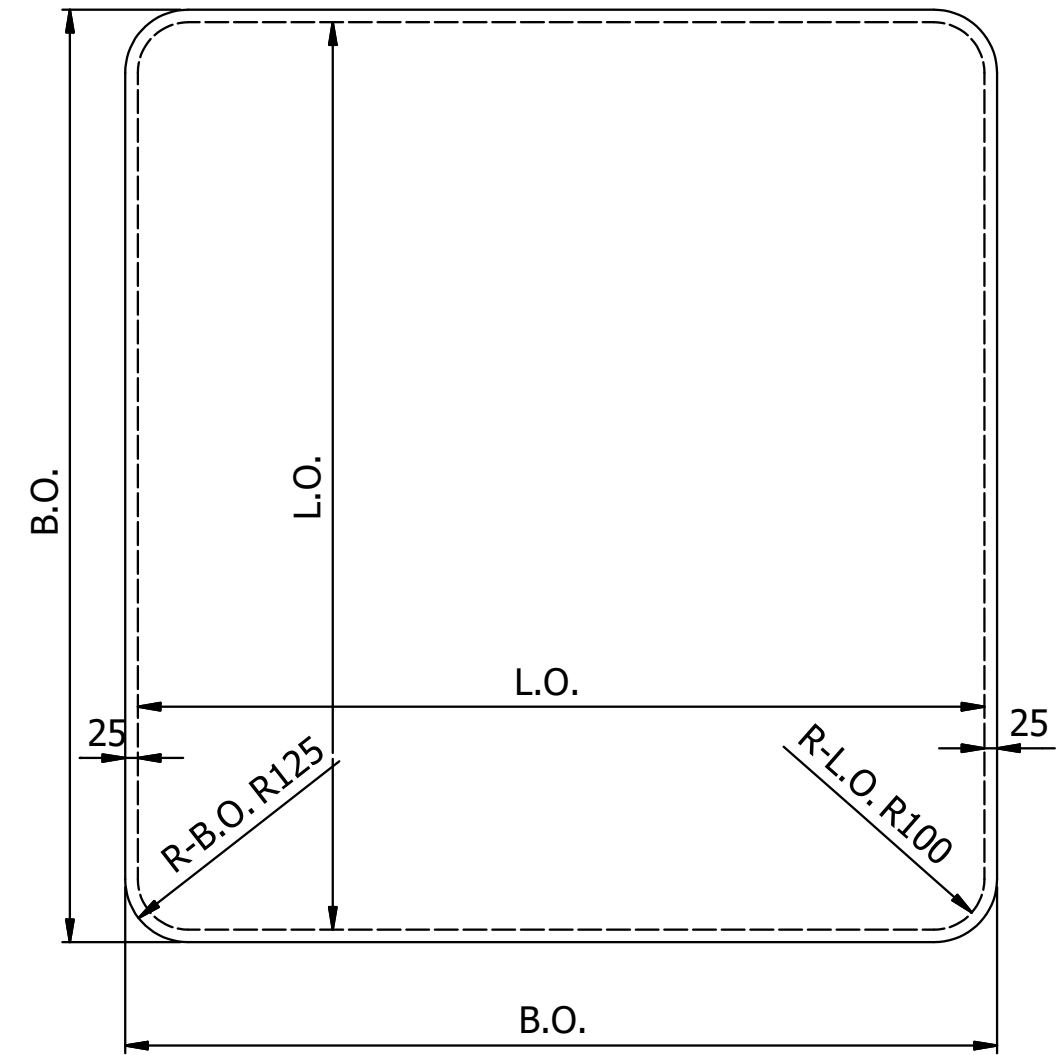
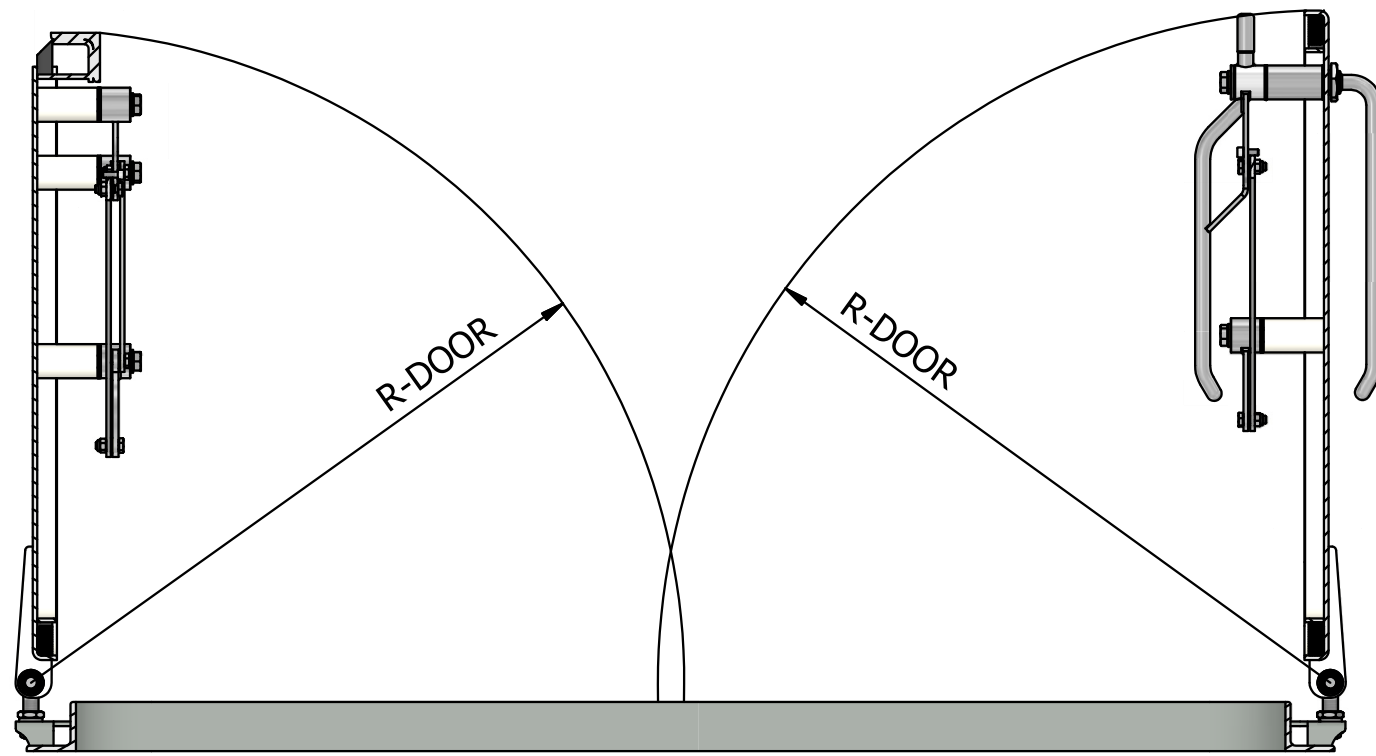



V4 (1 : 20)



REVISION HISTORY			
REV	DESCRIPTION	DATE	APPROVED
A	Released	19.03.2020	RP
LIBRA WEATHERTIGHT STEEL DOUBLE DOORS TYPE WRD100 w. QUICK ACTING			
Date 19.03.2020	Checked by	Scale True scaling in A3 format	Customer LIBRA
Designed by RP	Approved by	Date	
 LIBRA-PLAST AS N-6060 HAREID, Norway Tel.: +47 70 09 54 00 Fax: +47 70 09 54 01 E-Mail: office@libra.no		Issue A	Sheet 1 / 2
		Drawing no. LX-3-01455 Project no. LX-3-01455	

Note: 1 STEP FILE:
Libra_WRD100-IM-QA-L-1600x1800-RH



LIBRA WEATHERTIGHT STEEL DOUBLE DOORS TYPE WRD100 w. QUICK ACTING					
Date 19.03.2020	Checked by	Scale True scaling in A3 format	Customer LIBRA		
Designed by RP	Approved by	Date	Issue A		
 LIBRA-PLAST AS N-6060 HAREID, Norway Tel.: +47 70 09 54 00 Fax: +47 70 09 54 01 E-Mail: office@libra.no			Drawing no. LX-3-01455	Sheet 2 / 2	
			Project no. LX-3-01455		