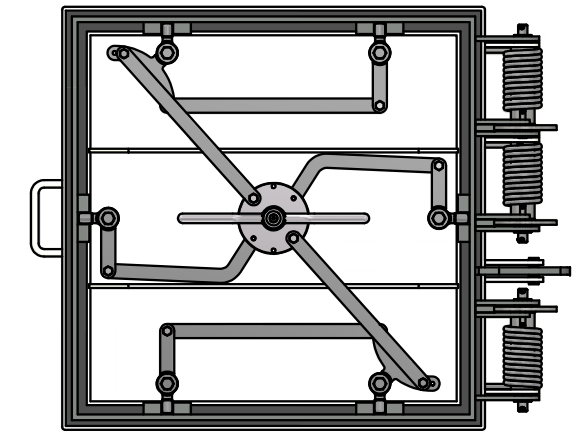
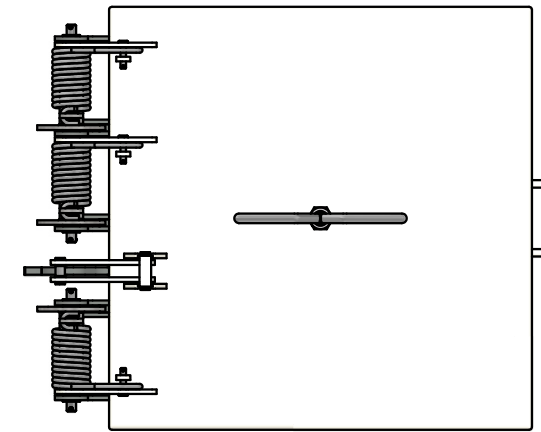
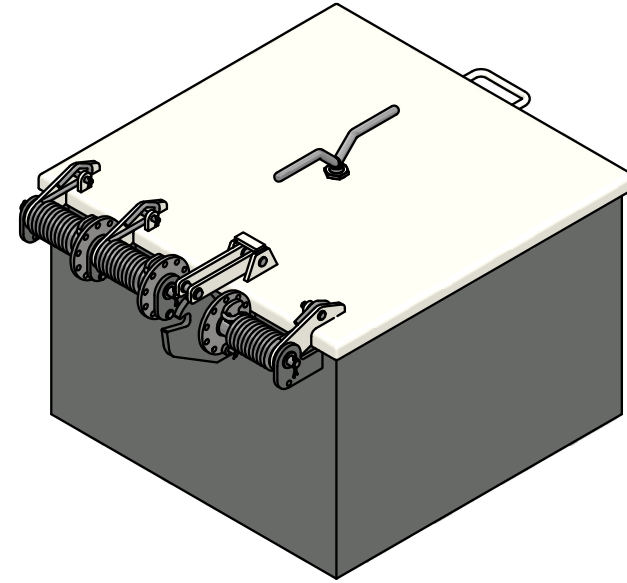
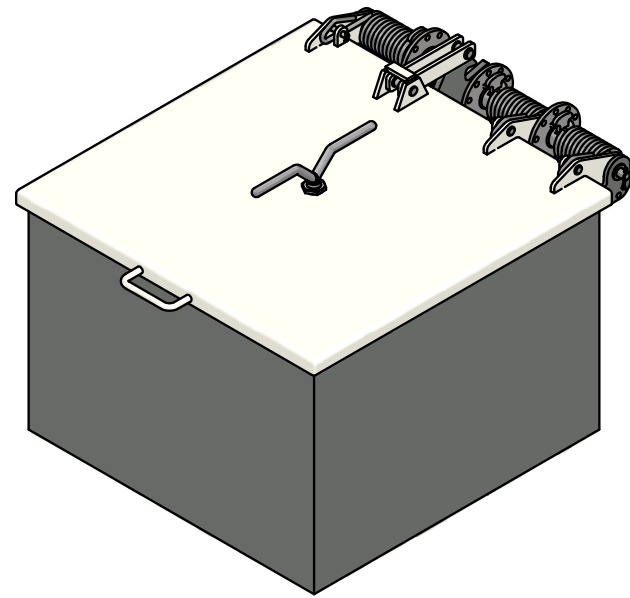


V1 ( 1 : 16 )

V2 ( 1 : 16 )

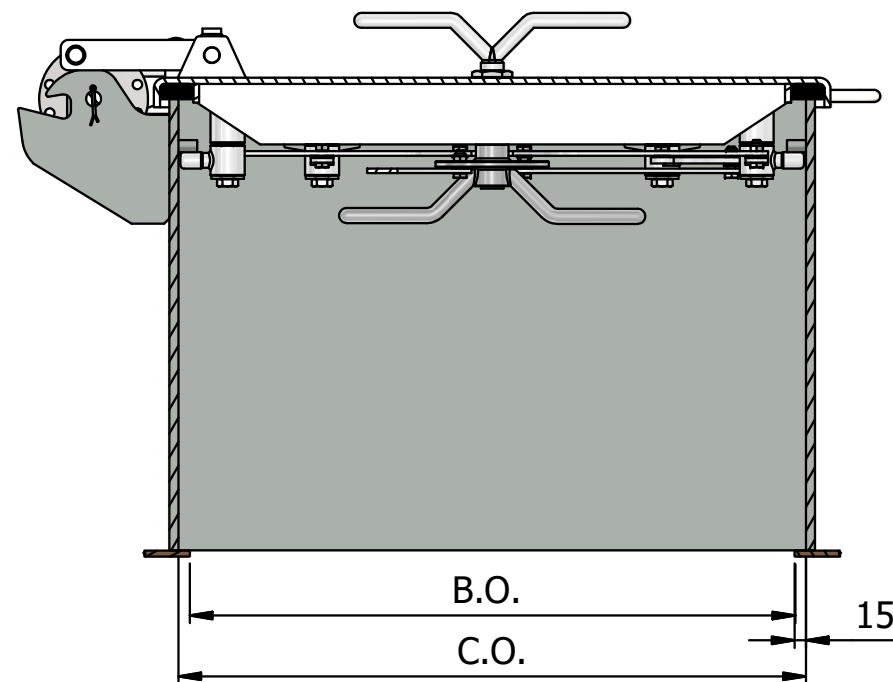
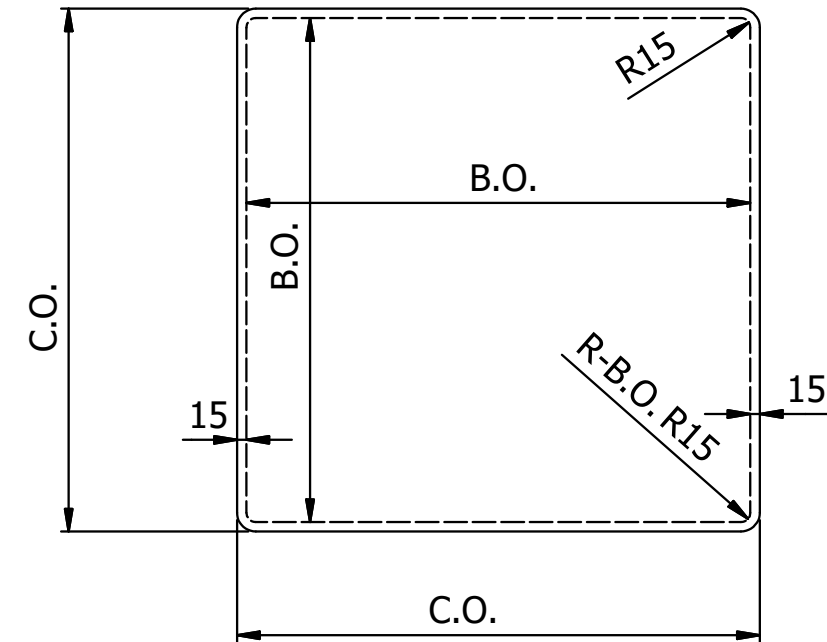
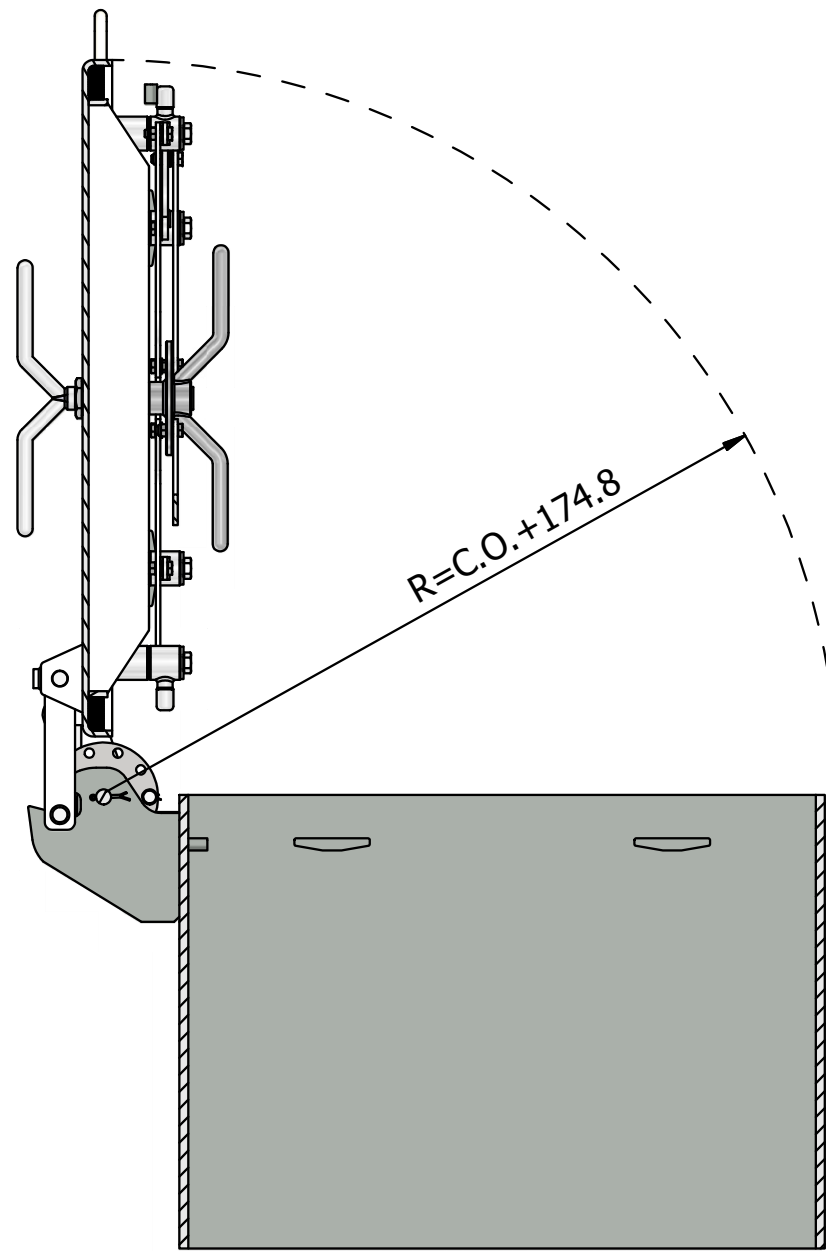
V3 ( 1 : 16 )


V4 ( 1 : 16 )



Note: 1 STEP FILE:  
Libra\_WRH-E S2-QA-I-800x800

REVISION HISTORY			
REV	DESCRIPTION	DATE	APPROVED
A	Released	22.09.2020	RP
<b>LIBRA WEATHERTIGHT STEEL HATCH TYPE WRH-E S2 w. QUICK ACXTING</b>			
Date 08.01.2020	Checked by RP	Scale True scaling in A3 format	Customer <b>LIBRA</b>
LIBRA-PLAST AS N-6060 HAREID, Norway Tel.: +47 70 09 54 00 Fax: +47 70 09 54 01 E-Mail: office@libra.no		Issue A	Drawing no. LX-3-01443
		Project no. <b>LX-3-01643</b>	Sheet 1 / 2



<b>LIBRA WEATHERTIGHT STEEL HATCH TYPE WRH-E S2 w. QUICK ACXTING</b>					
Date 08.01.2020	Checked by	Scale True scaling in A3 format	Customer <b>LIBRA</b>		
Designed by RP	Approved by	Date	Issue A		
 <b>LIBRA</b> <sup>TM</sup>			Drawing no. LX-3-01443		Sheet 2 / 2
			LIBRA-PLAST AS N-6060 HAREID, Norway Tel.: +47 70 09 54 00 Fax: +47 70 09 54 01 E-Mail: office@libra.no		