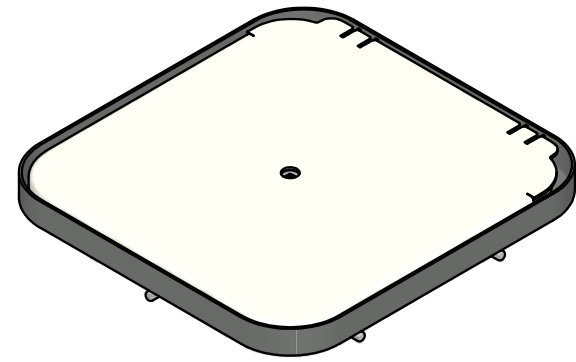
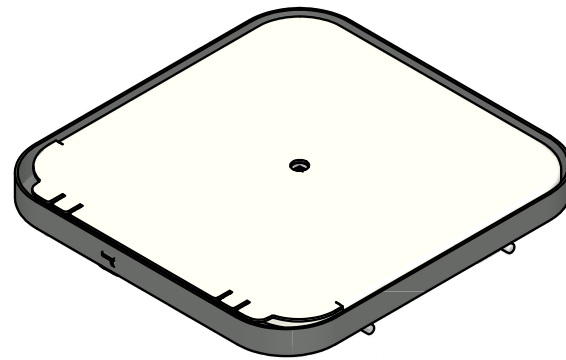


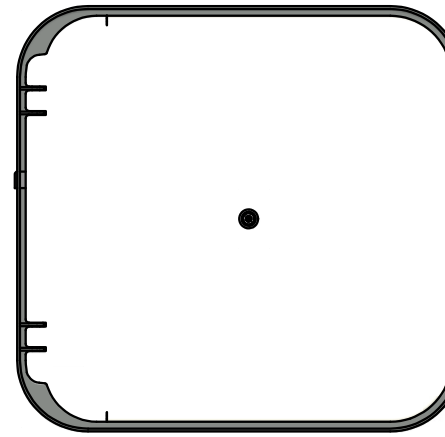
V1 (1 : 16)



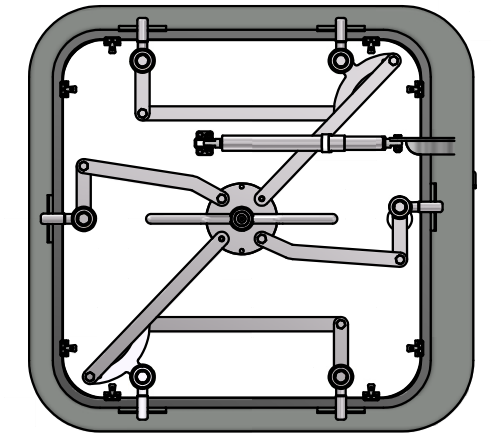
V2 (1 : 16)




V3 (1 : 16)

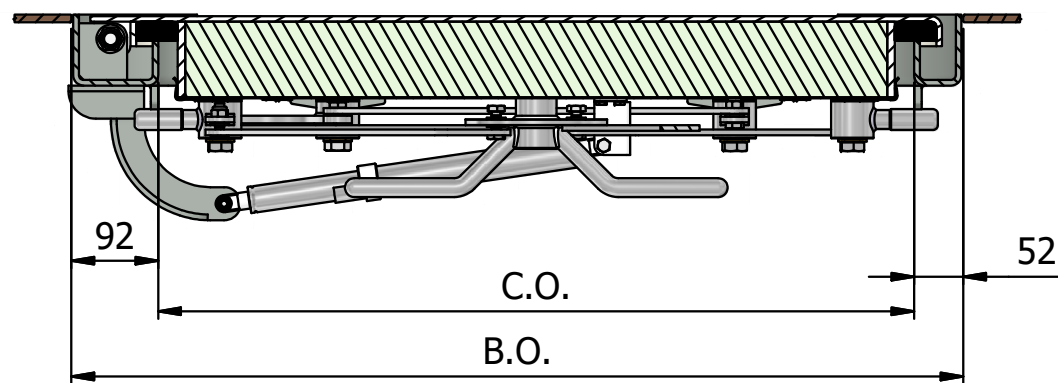
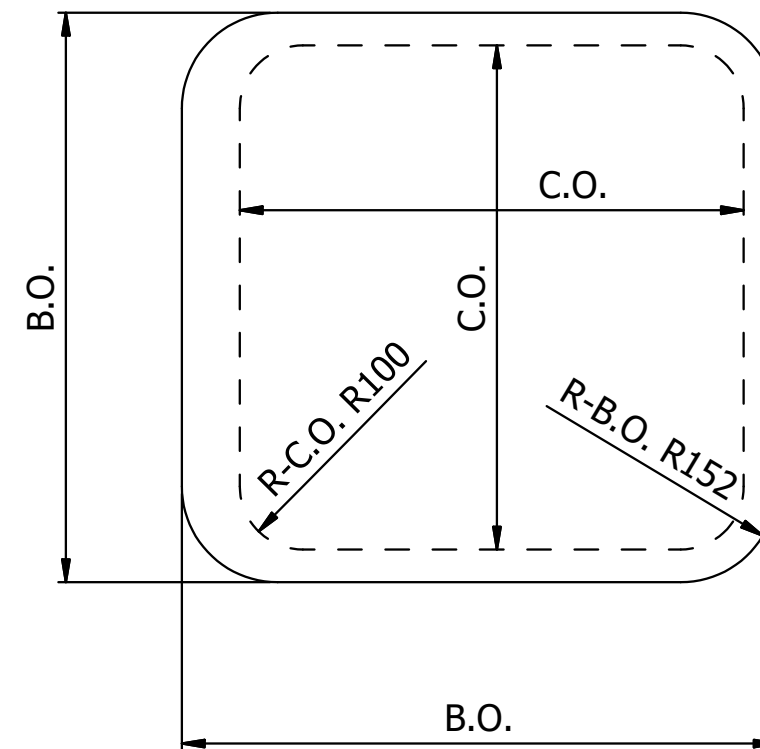
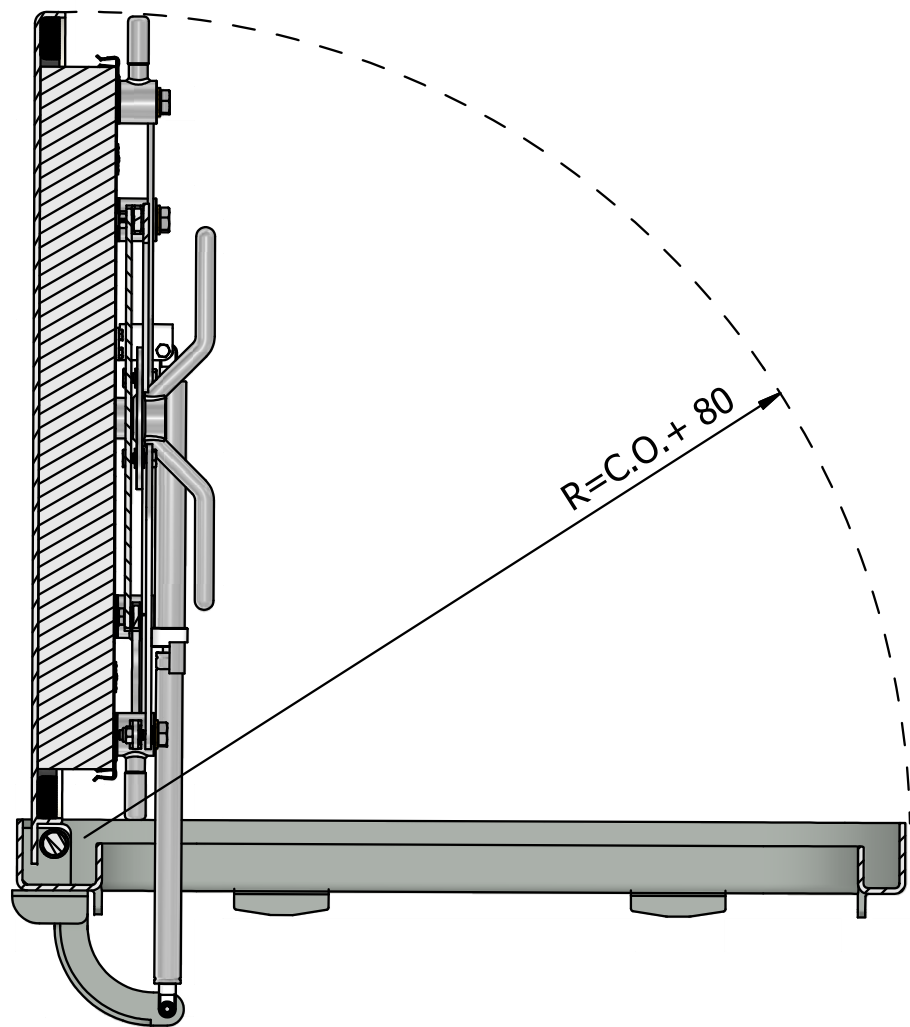



V4 (1 : 16)



Note: 1 STEP FILE:
Libra_WRH-F-A60 S2-QA-800x800

| REVISION HISTORY | | | |
|---|-------------|---|---|
| REV | DESCRIPTION | DATE | APPROVED |
| A | Released | 23.09.2020 | RP |
| LIBRA WEATHERTIGHT STEEL HATCH TYPE WRH-F S2 w. QUICK ACXTING | | | |
| Date 23.09.2020 | Checked by | Scale True scaling in A3 format | Customer LIBRA |
| Designed by RP | Approved by | Date | |
|  | | LIBRA-PLAST AS N-6060 HAREID, Norway Tel.: +47 70 09 54 00 Fax: +47 70 09 54 01 E-Mail: office@libra.no | Issue A Drawing no. LX-3-01446 Sheet 1 / 2 |
| | | Project no. LX-3-01646 | |



| | | | | | |
|---|-------------|---------------------------------------|----------------------------------|----------------|--|
| LIBRA WEATHERTIGHT STEEL HATCH TYPE WRH-F S2 w. QUICK ACXTING | | | | | |
| Date 23.09.2020 | Checked by | Scale True scaling in A3 format | Customer LIBRA | | |
| Designed by RP | Approved by | Date | Issue A | | |
|  LIBRA-PLAST AS N-6060 HAREID, Norway Tel.: +47 70 09 54 00 Fax: +47 70 09 54 01 E-Mail: office@libra.no | | | Drawing no. LX-3-01446 | Sheet 2 / 2 | |
| | | | Project no. LX-3-01646 | | |