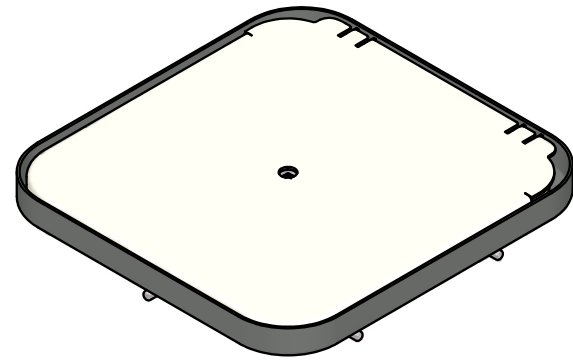
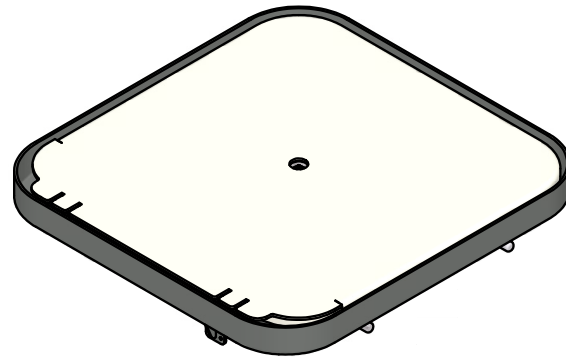


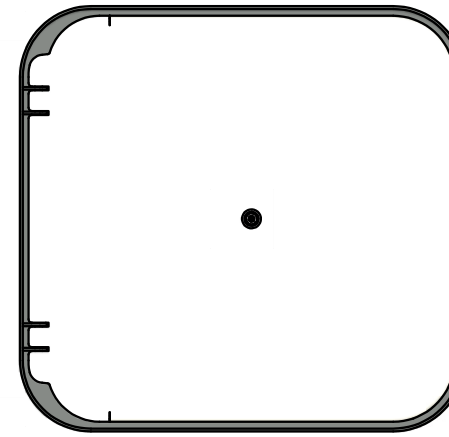
V1 (1 : 16)



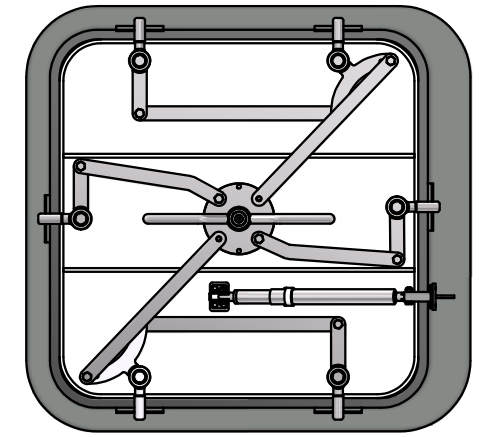
V2 (1 : 16)




V3 (1 : 16)

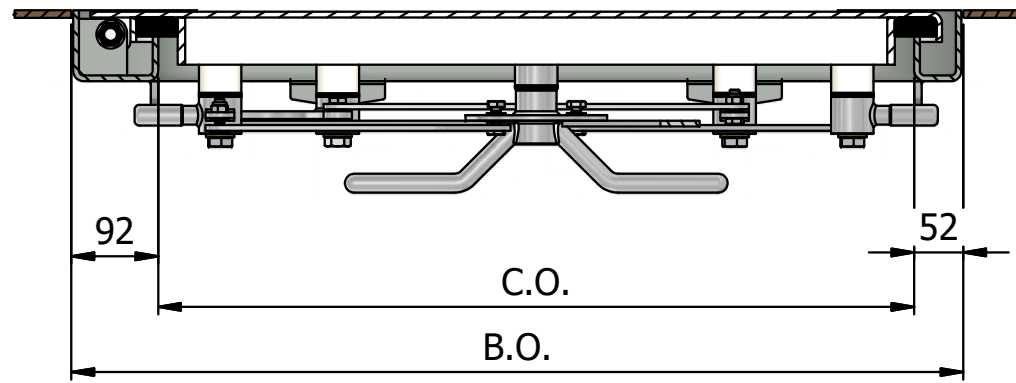
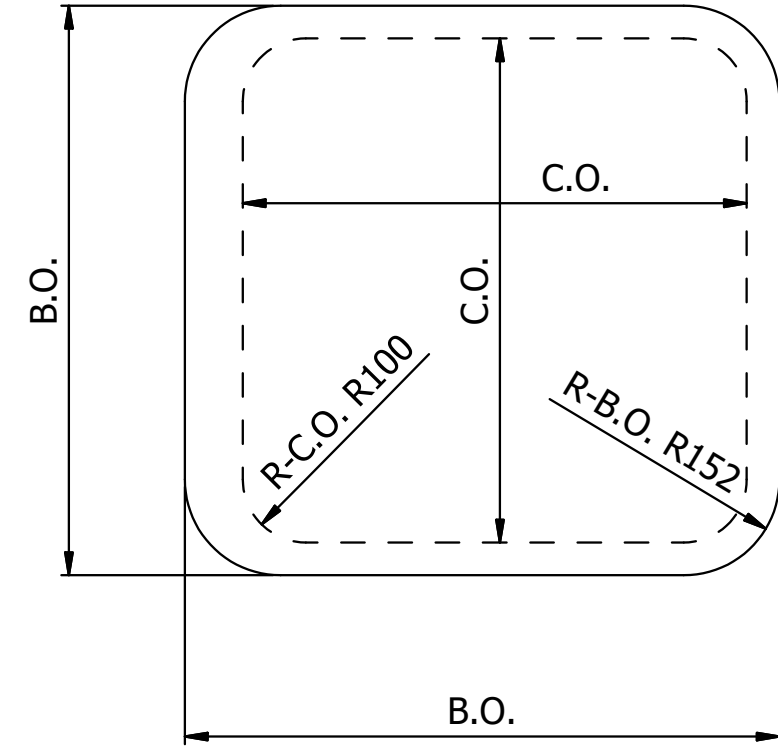
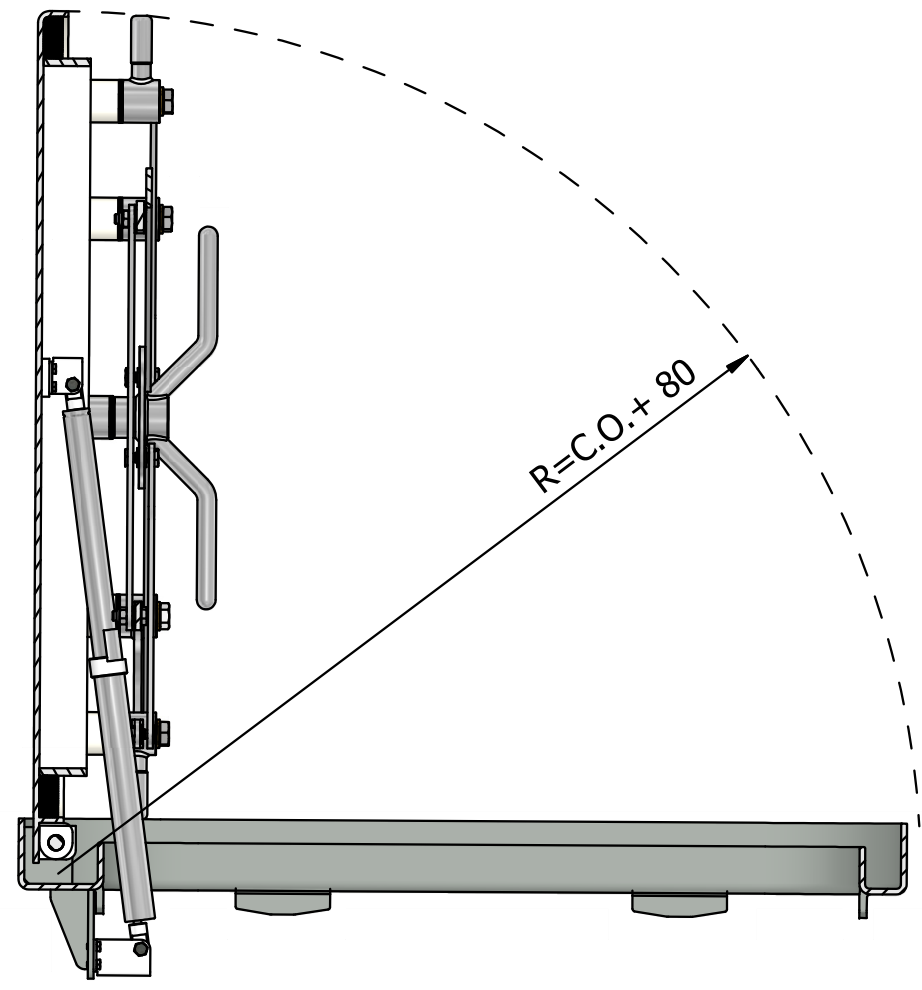


V4 (1 : 16)



Note: 1 STEP FILE:
Libra_WRH-F S2-QA-800x800

REVISION HISTORY			
REV	DESCRIPTION	DATE	APPROVED
A	Released	23.09.2020	RP
LIBRA WEATHERTIGHT STEEL HATCH TYPE WRH-F S2 w. QUICK ACXTING			
Date 23.09.2020	Checked by	Scale True scaling in A3 format	Customer LIBRA
Designed by RP	Approved by	Date	
		LIBRA-PLAST AS N-6060 HAREID, Norway Tel.: +47 70 09 54 00 Fax: +47 70 09 54 01 E-Mail: office@libra.no	Issue A
		Project no. LX-3-01645	Drawing no. LX-3-01445
		Sheet 1 / 2	



LIBRA WEATHERTIGHT STEEL HATCH TYPE WRH-F S2 w. QUICK ACXTING			
Date 23.09.2020	Checked by	Scale True scaling in A3 format	Customer LIBRA
Designed by RP	Approved by	Date	
		LIBRA-PLAST AS N-6060 HAREID, Norway Tel.: +47 70 09 54 00 Fax: +47 70 09 54 01 E-Mail: office@libra.no	Issue A
		Project no. LX-3-01645	Drawing no. LX-3-01445
		Sheet 2 / 2	