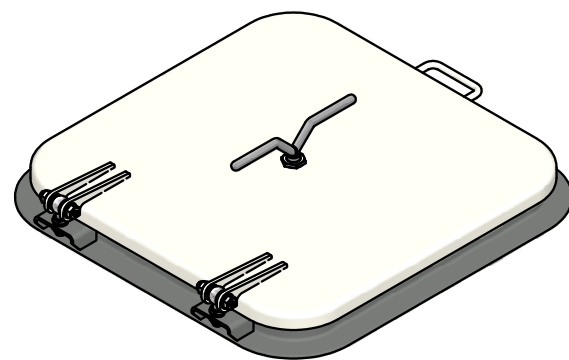


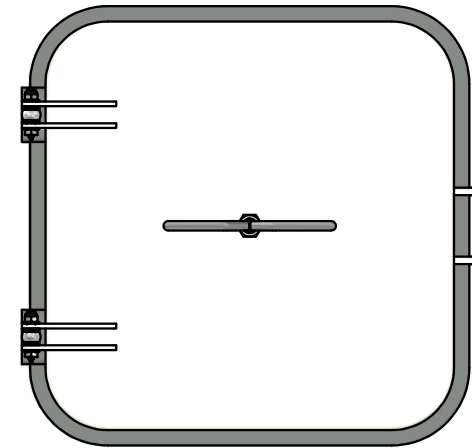
V1 (1 : 16)



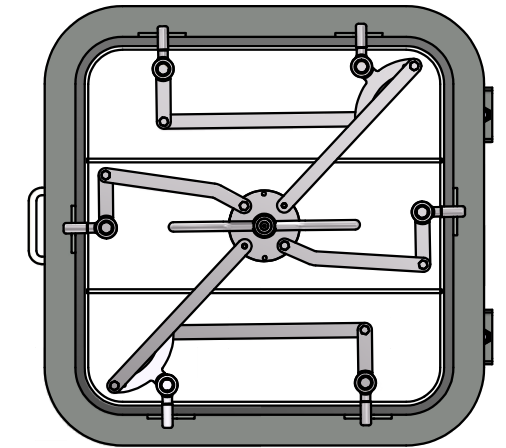
V2 (1 : 16)




V3 (1 : 16)

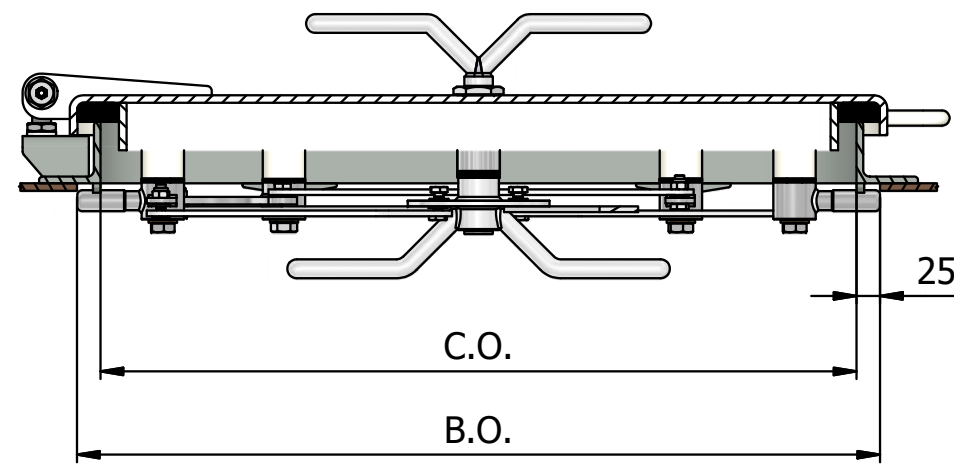
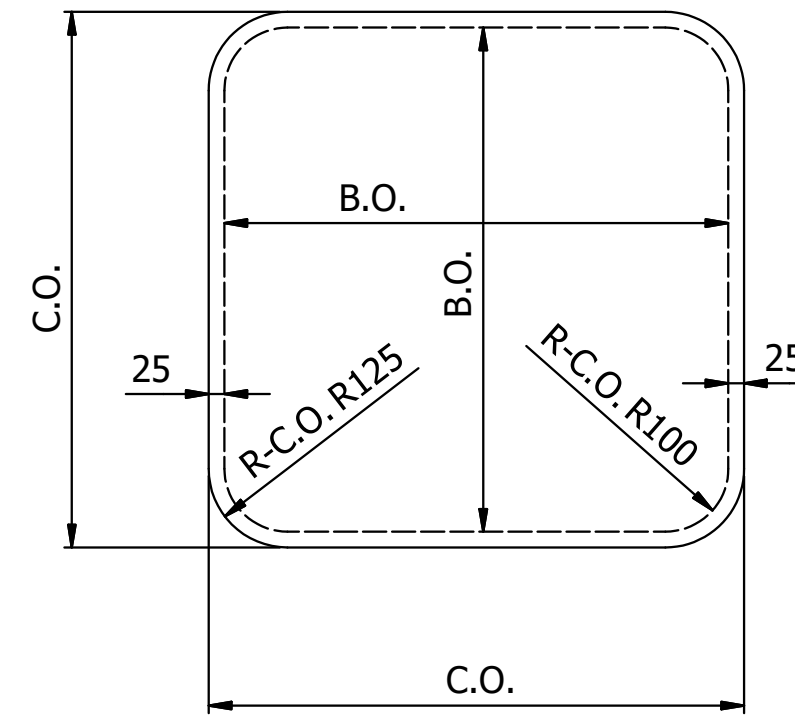
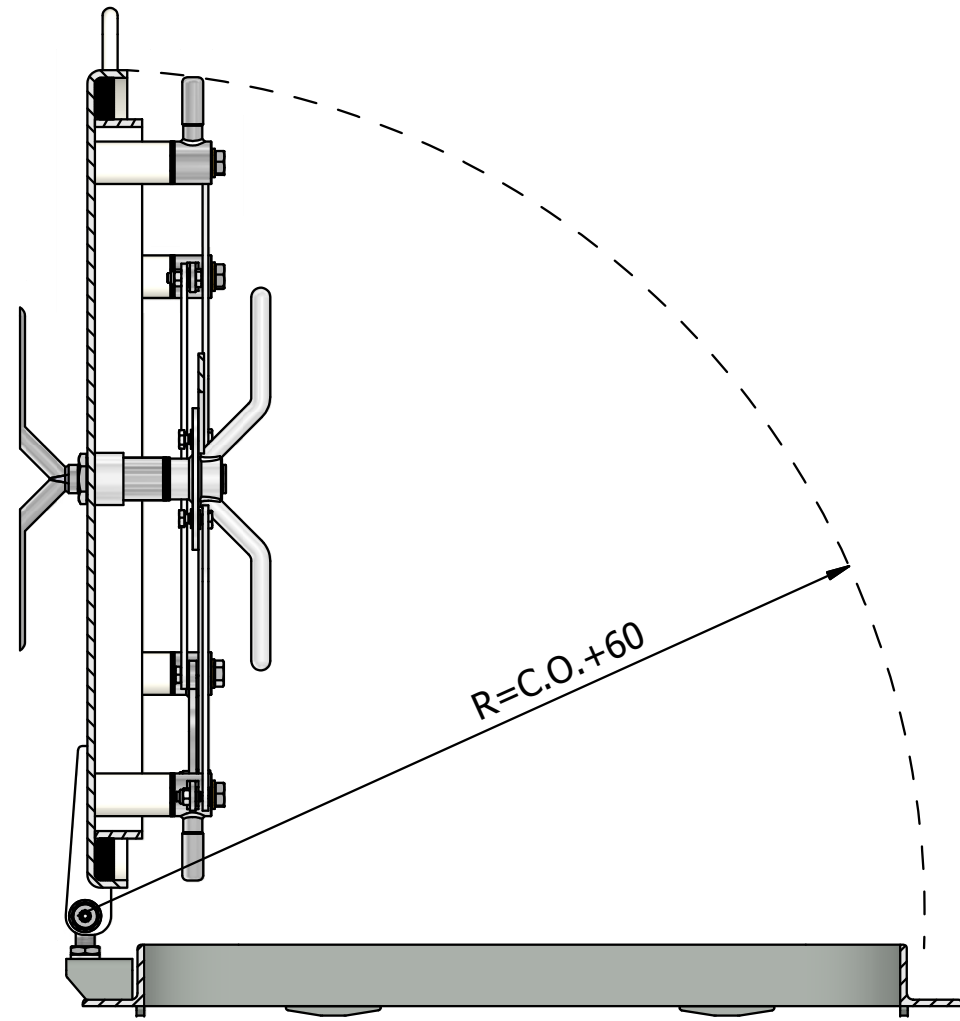



V4 (1 : 16)



Note: 1 STEP FILE:
Libra_WRH-S S2-QA-I-800x800

REVISION HISTORY			
REV	DESCRIPTION	DATE	APPROVED
A	Released	25.09.2020	RP
LIBRA WEATHERTIGHT STEEL HATCH TYPE WRH-S S2 w. QUICK ACXTING			
Date 25.09.2020	Checked by	Scale True scaling in A3 format	Customer LIBRA
Designed by RP	Approved by	Date	
 LIBRA-PLAST AS N-6060 HAREID, Norway Tel.: +47 70 09 54 00 Fax: +47 70 09 54 01 E-Mail: office@libra.no		Issue A	Sheet 1 / 2
		Drawing no. LX-3-01456 Project no. LX-3-01656	



LIBRA WEATHERTIGHT STEEL HATCH TYPE WRH-S S2 w. QUICK ACXTING					
Date 25.09.2020	Checked by	Scale True scaling in A3 format	Customer LIBRA		
Designed by RP	Approved by	Date	Issue A		
 LIBRA-PLAST AS N-6060 HAREID, Norway Tel.: +47 70 09 54 00 Fax: +47 70 09 54 01 E-Mail: office@libra.no			Drawing no. LX-3-01456	Sheet 2 / 2	
			Project no. LX-3-01656		