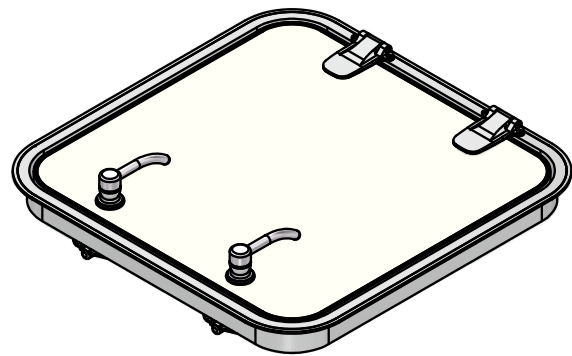


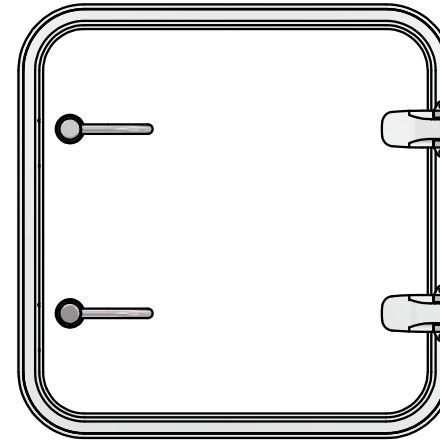
V1 ( 1 : 16 )



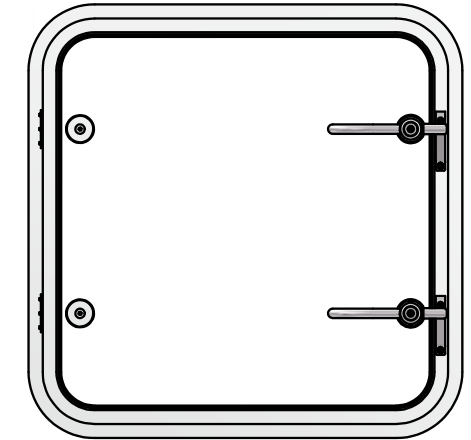
V2 ( 1 : 16 )




V3 ( 1 : 16 )

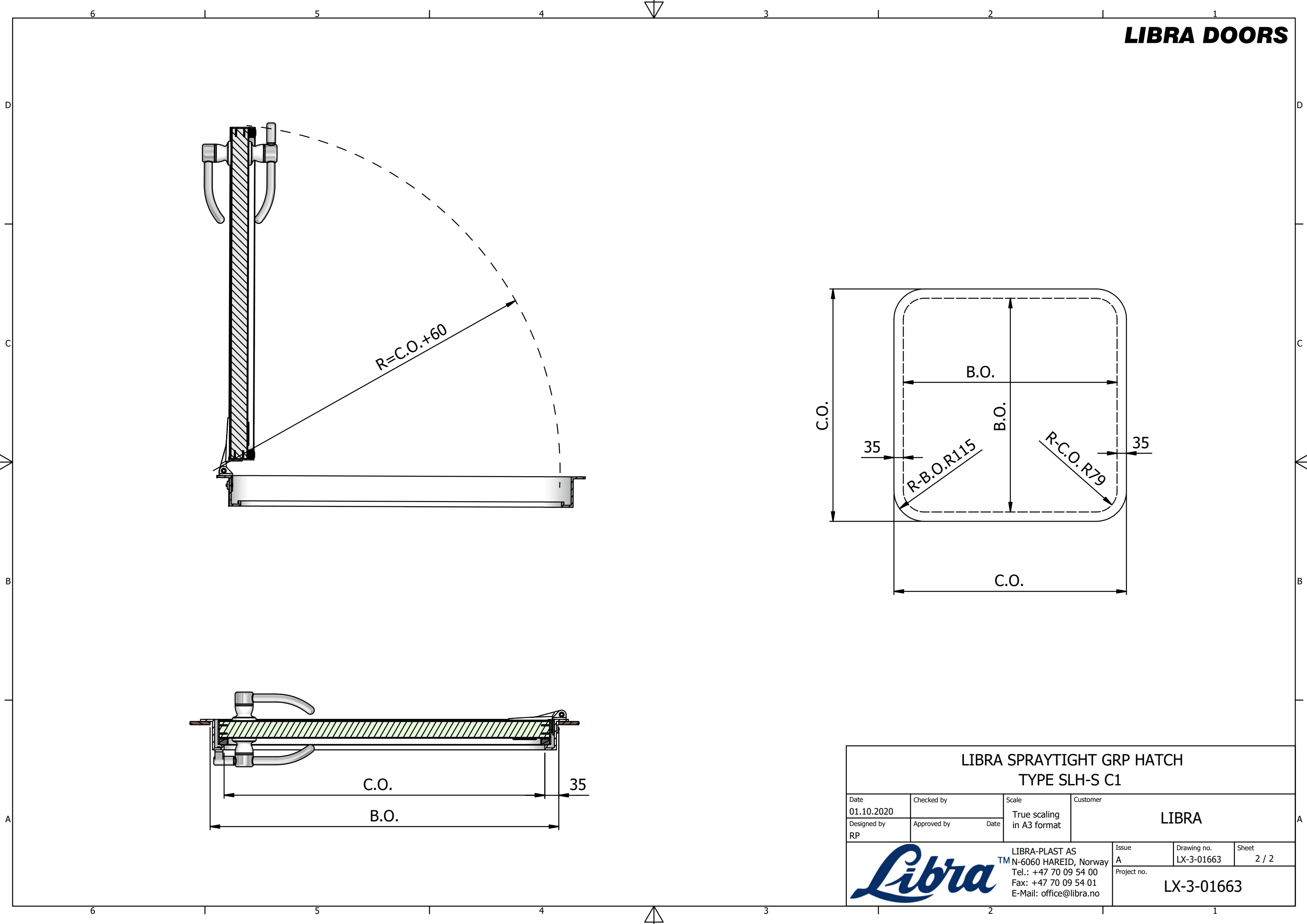



V4 ( 1 : 16 )



Note: 1 STEP FILE:  
Libra\_SLH-S C1-ST-Z-800x800

REVISION HISTORY			
REV	DESCRIPTION	DATE	APPROVED
A	Released	01.10.2020	RP
<b>LIBRA SPRAYTIGHT GRP HATCH TYPE SLH-S C1</b>			
Date 01.10.2020	Checked by	Scale True scaling in A3 format	Customer <b>LIBRA</b>
Designed by RP	Approved by	Date	
 LIBRA-PLAST AS N-6060 HAREID, Norway Tel.: +47 70 09 54 00 Fax: +47 70 09 54 01 E-Mail: office@libra.no		Issue A	Sheet 1 / 2
		Drawing no. LX-3-01663 Project no. <b>LX-3-01663</b>	



<b>LIBRA SPRAYTIGHT GRP HATCH TYPE SLH-S C1</b>					
Date 01.10.2020	Checked by	Scale True scaling in A3 format	Customer <b>LIBRA</b>		
Designed by RP	Approved by	Date	Issue A		
 LIBRA-PLAST AS N-6060 HAREID, Norway Tel.: +47 70 09 54 00 Fax: +47 70 09 54 01 E-Mail: office@libra.no			Drawing no. LX-3-01663	Sheet 2 / 2	Project no. <b>LX-3-01663</b>